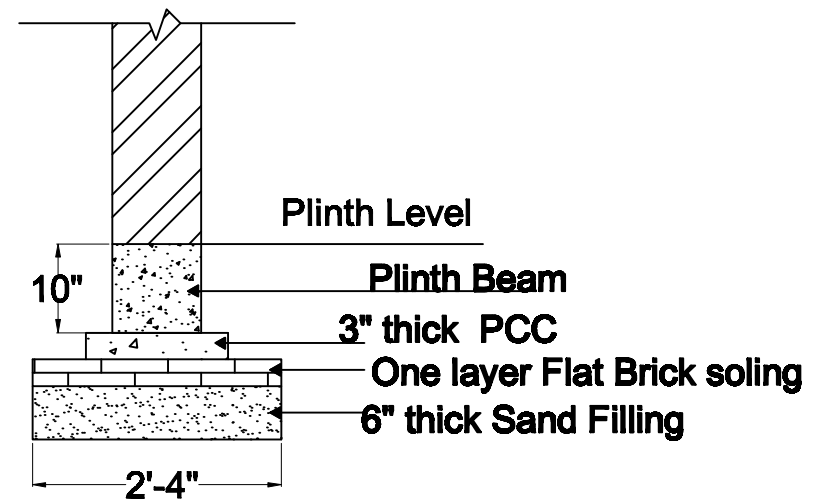


SECTION A-A Detail
 (Outer Portion Plinth Beam Detail)



SECTION B-B Detail
 (Inner Portion Plinth Beam Detail)